



Approval Marks



GMA-519265 (for 150/250/350/500mA)

Item	Value	Remark	
Nominal voltage	220–240V		
Nominal frequency	50–60Hz		
AC voltage range	198–264V		
DC voltage range (start)	N/A		
DC voltage range (operation)	N/A		
Nominal current	45mA	Full load @230VAC	
Total Harmonic Distortion (THD)	< 21%	Full load @230VAC	
Power factor			
G6LT7W150/180/200/350/500LR-Z	0.9C-0.95	Min-load @240Vac and Full-load @220 Vac	
G6LT7W250LR-Z	0.8C-0.95	Min-load @240Vac and Full-load @220 Vac	
Displacement factor	0.8C-0.95	Full load @230VAC	
Input	Efficiency		
	G6LT7W150/180LR-Z	76%(Typ.)	Full load @230VAC
	G6LT7W200/250LR-Z	76%(Typ.)	Full load @230VAC
	G6LT7W350LR-Z	75%(Typ.)	Full load @230VAC
	G6LT7W500LR-Z	72%(Typ.)	Full load @230VAC
No-load power	NA		
Stand-by power	NA		
Protection class	II	Suitable for II luminaires	
Inrush current	5A / 30us		
Max.units per circuit breaker	Type B , 10A MCB	89	
	Type B , 16A MCB	142	
	Type C , 10A MCB	111	
	Type C , 16A MCB	178	
Touch current	< 0.7mA peak	IEC/EN 61347-1	
Output	Nominal voltage range		
	G6LT7W150LR-Z	30-42 Vdc	
	G6LT7W180LR-Z	27-42Vdc	
	G6LT7W200LR-Z	18-35Vdc	
	G6LT7W250LR-Z	12-21Vdc	
	G6LT7W350LR-Z	12-21Vdc	
G6LT7W500LR-Z	9-14 Vdc		

	Item	Value	Remark
	Maximum voltage		
	G6LT7W150/180/200LR-Z	55Vdc	
	G6LT7W250LR-Z	35Vdc	
	G6LT7W350LR-Z	35Vdc	
	G6LT7W500LR-Z	25Vdc	
	Nominal current range		Full load @230VAC
	G6LT7W150LR-Z	150mA	
	G6LT7W180LR-Z	180mA	
	G6LT7W200LR-Z	200mA	
	G6LT7W250LR-Z	250mA	
	G6LT7W350LR-Z	350mA	
	G6LT7W500LR-Z	500mA	
Output	Current accuracy		Full load @230VAC
	G6LT7W150/180LR-Z	± 10%	
	G6LT7W200/250/350/500LR-Z	± 5%	
	Typical output LF current ripple	± 5%	Low Frequency < 120Hz Full load @230VAC
	Starting time	< 0.5 S	Full load @230VAC
	SVM	≤ 0.4	Full load @230VAC
	P _{stLM}	≤ 1	Full load @230VAC
	Nominal power range		
	G6LT7W150LR-Z	4.5-6.3W	
	G6LT7W180LR-Z	4.9-7.5W	
	G6LT7W200LR-Z	3.6-7.0W	
	G6LT7W250LR-Z	3.0-5.25W	
	G6LT7W350LR-Z	4.2-7.4W	
	G6LT7W500LR-Z	4.5-7.0W	
	Maximum power	7.5W	
Dimming	Dimming control	Trailing Edge	
	Dimming technique	Amplitude	
	PWM frequency	NA	
	Dimming range	10-100%	
	Lowest dimming current	5-15%	
	Galvanic isolation	NA	
	Ambient temperature range t _a	-20°C - +50°C	
	Maximum case temperature t _c	80°C	
	Max. case temp. in fault condition	110°C	When operating under fault conditions, the temperature of the enclosure at any location should not exceed 110 °C.
Environment	Storage temperature range	-25°C - +85°C	
	Relative humidity	10% - 90%	
	Surge transient protection	1 kV	L/N
	Environmental rating	Indoor	
	IP rating	IP20	
	Mains switching cycles	> 100,000	
	Expected lifetime	> 50,000 h, tc 80 °C @ ta 50 °C > 100,000 h, tc 70 °C @ ta 40 °C	0.2 % / 1,000 h failure rate 0.1 % / 1,000 h failure rate

	Item	Value	Remark
Packing	Gross weight/box	14.8 kg	
	Net weight/box	13.4 kg	
	Pcs/box	224 PCS	
	Dimension/box	385(L)*310(W)*260(H)mm	

Protections

Short-circuit Protection	Auto recovery
Open-circuit Protection	Auto recovery
Overload Protection	Auto recovery

Conformity & Standards

Safety:	EN 61347-1, EN 61347-2-13, EN 62493
Performance:	EN 62384
EMC standard:	EN 55015, EN 61000-3-2, EN 61000-3-3, EN 61547

Cable information

PRI

Cable cross-section	0.75-1.5□/AWG 18-16
Stripping	6mm
Pull test cable type	H03VV(H2)-F 2x0,75-1,0 mmm ²

SEC

Cable cross-section	0.5-1.5□/AWG 20-16
Stripping	6mm

Terminal information

PRI-Screw type

SEC-Screw type

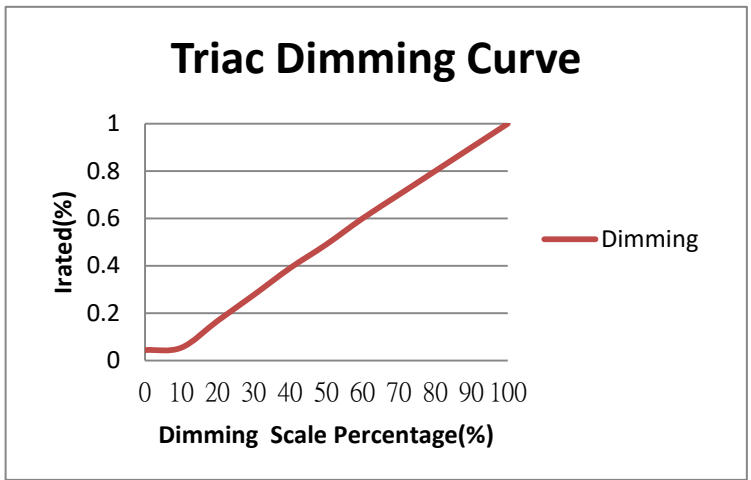
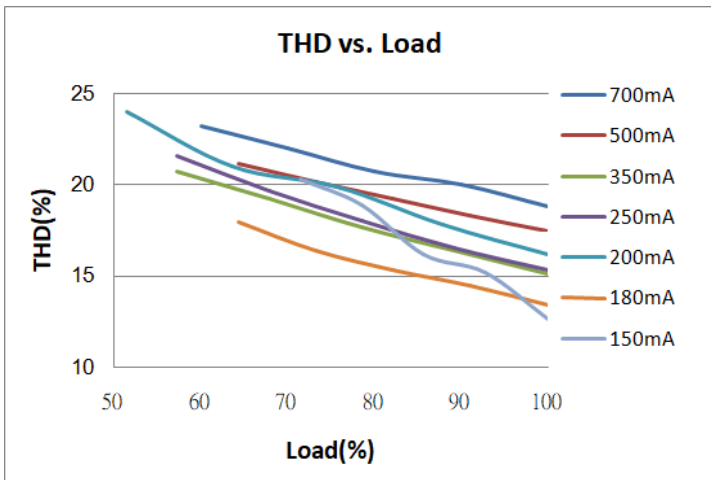
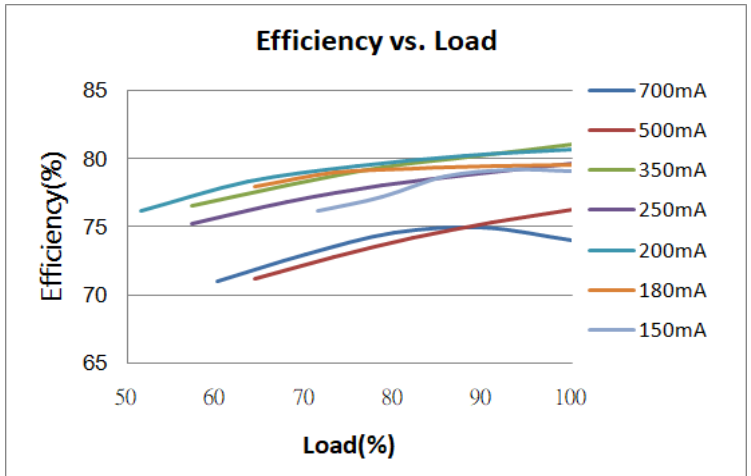
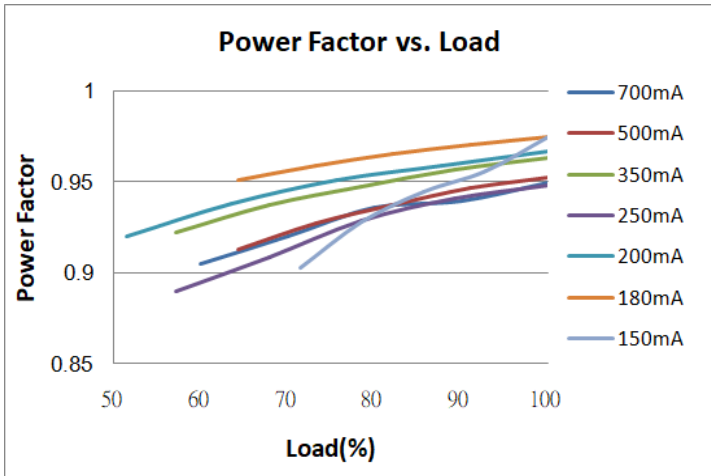
Subject to change without notice, HEP guarantees all products perform functionally well

* If not mentioned, all the test conditions are based on full load at 230VAC input (for 220-240 VAC input).

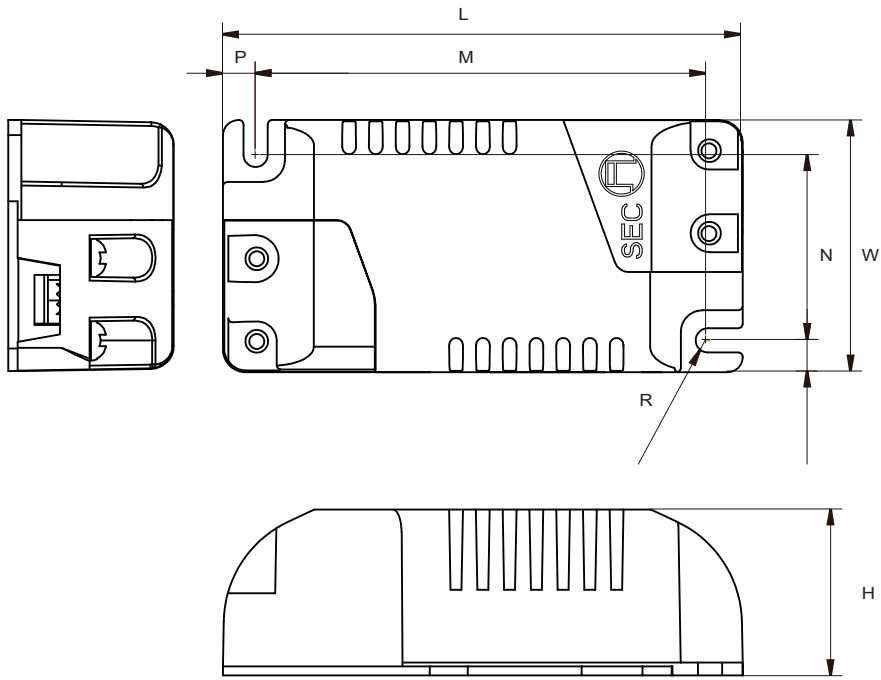
Trailing Edge Dimmer list approved by HEP

Manufacturer	Model	Q'ty of parallelconnection	Note
Philips	SED-200A	19	
Merten/Schneider	SBD315RC	26	
Etman	ETM327	29	
Merten	SBD200LED	29	
Busch	6513 U-102	29	
Busch	6523 UR-103	29	
Busch	6523 U-102	20	
Niko	310-0190X	26	
JUNG	LB-Management	29	
CASAMBI	CBU-TED	11	
eth	05-187975	12	G6LT7W180LRZ Only

Electrical Values



**Physical
Parameter**



- L : 68.4 mm H: 21.8 mm
- M: 59.5 mm O: 4.2 mm
- N : 24.4 mm P : 4.3 mm
- W: 33.2 mm R : 1.6 mm
- Tolerance : $\geq 0 \sim 100 \geq \pm 1\text{mm}$
- Terminal Block : Screw Type
- Housing Material : Polycarbonate
- Soldering : Lead-Free, Comply With RoHS
- Label : Surface Print
- Cable Cross Section : $0.75\text{-}1.5\text{mm}^2$ / AWG 18-16
- Stripping : 6mm

Wiring Diagram

